

MOUNTING INSTRUCTIONS

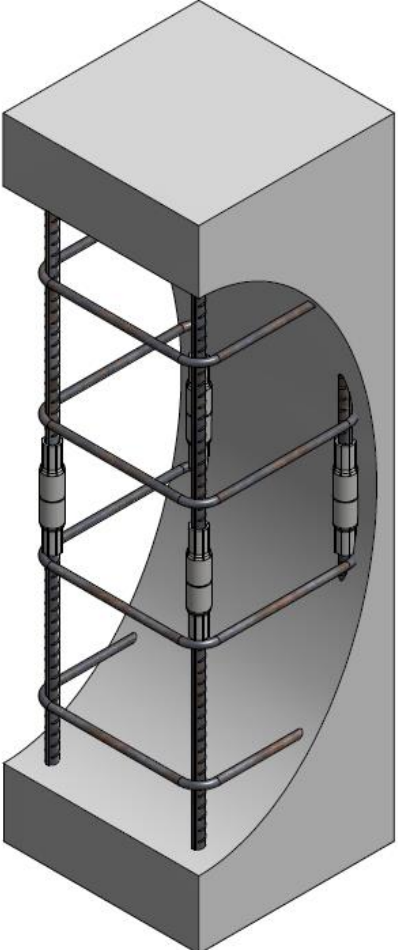
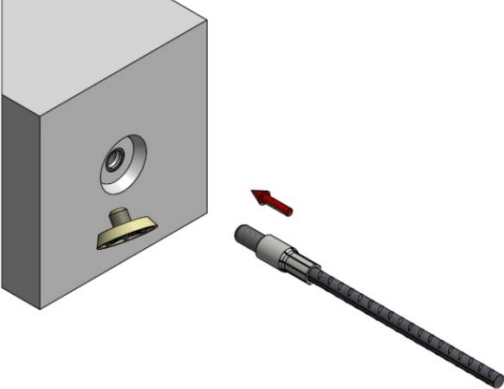
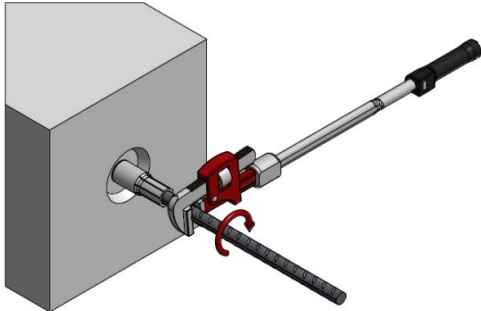


REBAR CONNECTION SYSTEM | **PSA** **REINFORCEMENT COUPLER**



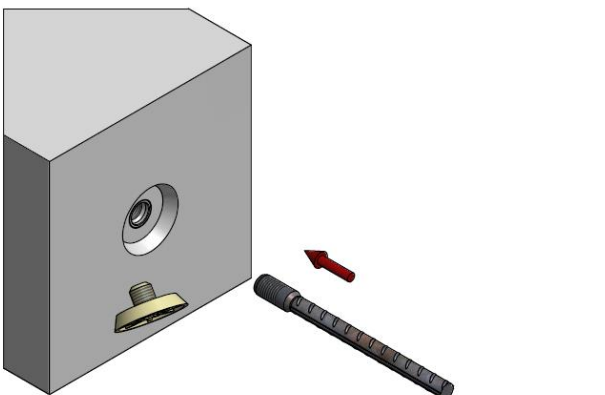
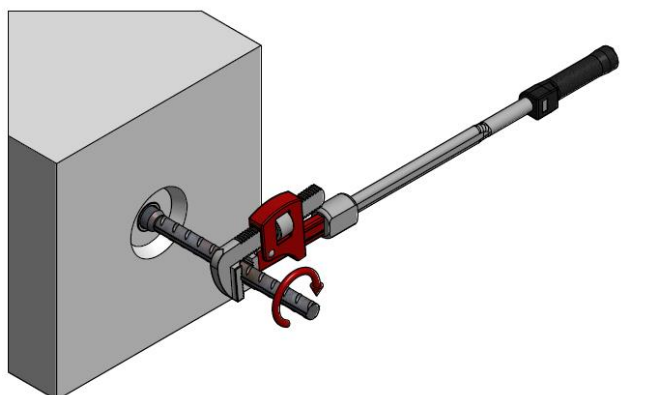
INSTRUCTIONS FOR INSTALLING TERWA REBAR COUPLER

INSTALL PSA COUPLER AND CONNECT TO COUPLER PSA-PSC

		<p><i>Place and rotate the PSA-PSC coupler manually until the couplers are fastened.</i></p>
		<p><i>Finish the connection using a special TERWA torque wrench to tighten the connection. The connection must be sufficiently tight to prevent movement during concrete placement. The necessary torque for each type of rebar is shown in the table on page 4.</i></p>

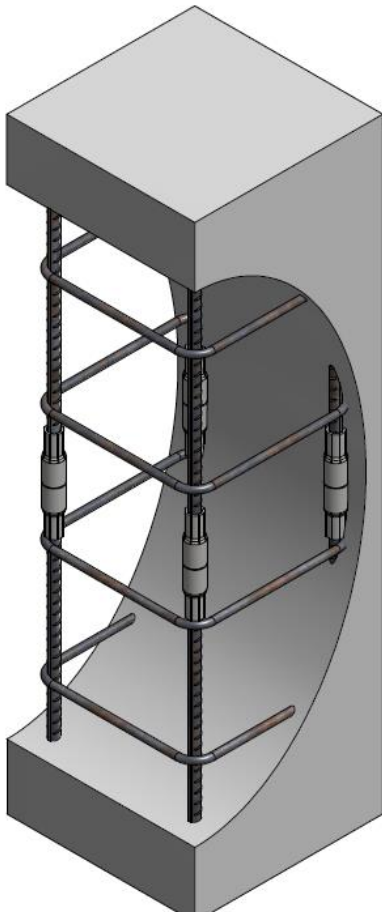
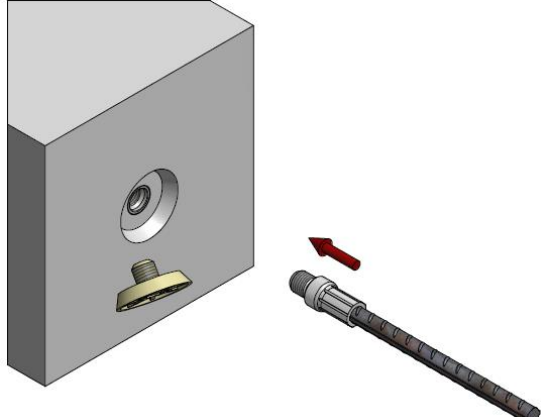
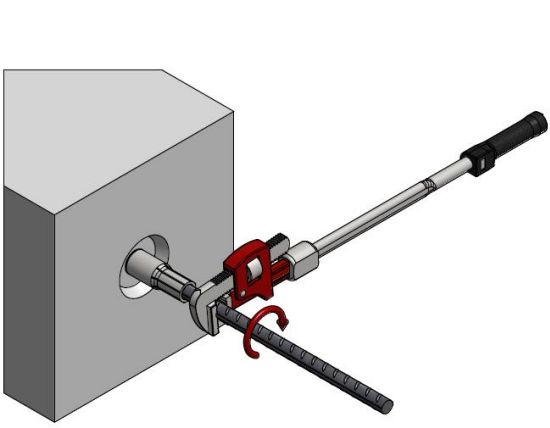
Note: Make sure both parts of the connecting bars are installed exactly in line with one another, as any misalignment may result in reduced concrete coverage, insufficient bar spacing or may compromise mounting of the connecting element. Corrective bending in the threaded zone of the bar is not allowed.

INSTALL COUPLER PSA AND CONNECT TO COUPLER TSE

	
<p>Place and rotate TSE coupler manually until the couplers are fastened.</p>	<p>Finish the connection using a special TERWA torque wrench to tighten the connection. The connection must be sufficiently tight to prevent movement during concrete placement. The necessary torque for each type of rebar is shown on page 4.</p>

Note: Make sure both parts of the connecting bars are installed exactly in line with one another, as any misalignment may result in reduced concrete coverage, insufficient bar spacing or may compromise mounting of the connecting element. Corrective bending in the threaded zone of the bar is not allowed.

INSTALL PSA COUPLER AND CONNECT TO COUPLER PSA-PSE

		<p>Place and rotate PSE coupler manually until the couplers are fastened.</p>
		<p>Finish the connection using a special TERWA torque wrench to tighten the connection. The connection must be sufficiently tight to prevent movement during concrete placement. The necessary torque for each type of rebar is shown in the table on page 4.</p>

TERWA TORQUE WRENCH

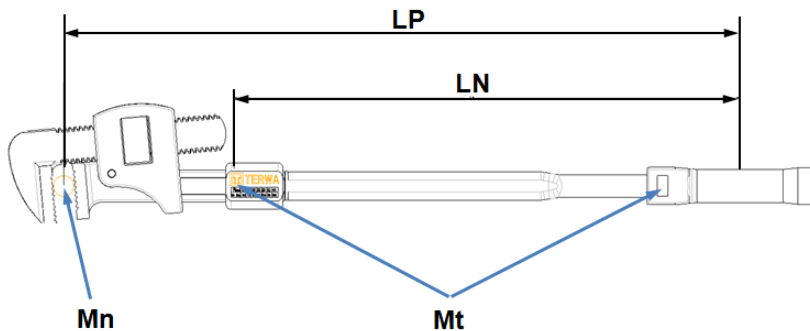
The Terwa torque wrench is specially designed for correctly mounting the Terwa coupler on site and at the factories. All Terwa wrenches are delivered with a calibration report and work instructions.

The torque values for all rebar diameters are marked on the wrench. The torque values for all Terwa couplers are listed below.

Reinforcement diameter [mm]	Necessary torque for each type of rebar [Nm]	Setting torque using wrench Mt [Nm]
10	50	60
12	60	60
14	70	60
16	80	60
18	90	70
20	100	75
22	110	82
25	125	93
28	140	104
32	160	119
40	200	148



TERWA torque wrench



Mn – required torque
Mt – setting torque using wrench
LP – length to middle of each reinforcement steel
LN – standard length wrench

$$Mt = Mn \times LN / LP$$

TERWA wrench dimensions

CONTACT



TERWA is the global supplier for precast and construction solutions with multiple offices around the world. With all our staff, partners and agents, we are happy to provide all construction and precast companies who work in the building industry with full service and 100% support.

TERWA CONSTRUCTION GROUP

Terwa Construction Netherlands (HQ)

Global Sales & Distribution
Kamerlingh Onneslaan 1-3
3401 MZ IJsselstein
The Netherlands
T +31-(0)30 699 13 29
F +31-(0)30 220 10 77
E info@terwa.com

Terwa Construction Central East Europe

Sales & Distribution
Strada Sânzieni
507075 Ghimbav
Romania
T +40 372 611 576
E info@terwa.com

Terwa Construction Poland

Sales & Distribution
Ul. Cicha 5 lok. 4
00-353 Warszawa
Poland
E info@terwa.com

Terwa Construction India & Middle East

Sales & Distribution
India
T +91 89 687 000 41
E info@terwa.com

Terwa Construction China

Sales & distribution
5F 504, No. 101 Chuanchang road
PRC, 200032, Shanghai
China
E info@terwa.com

ALL SPECIFICATIONS CAN BE CHANGED WITHOUT PREVIOUS NOTICE.

DISCLAIMER

Terwa B.V. is not liable for deviations due to wear of the products it has delivered. Neither is Terwa B.V. liable for damage due to inaccurate and/or improper handling and use of the products it has delivered and/or use of same for purposes other than those intended.

Terwa B.V.'s responsibility is furthermore limited in accordance with article 13 of the "Metaalunie" conditions, which are applicable for all Terwa B.V. deliveries. The user is responsible for ensuring compliance with all applicable copyright laws. Without limiting the rights under copyright, no part of this documentation may be reproduced, stored in or introduced into a retrieval system, or transmitted in any form or by any means (electronic, mechanical, photocopying, recording, or otherwise), or for any purpose, without the express written permission of Terwa B.V.